



LET US **STEEL** YOUR HEART

**1**telluria



## TELLURIA, let us **STEEL** your heart

We deem layout and comfort to be paramount in our homes. So why not in the garden too? It's all possible with our **TELLURIA** storage unit. Lend your garden the touch of elegance it deserves.

All photographs in this brochure may vary from the actual products

The storage unit is a win-win solution, and is a real eye-catcher to boot. The storage unit is available in different sizes. There is a choice between 3 colours (white, light-grey and anthracite).





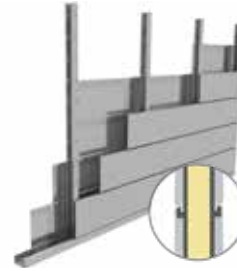


USEFUL TIPS  
BEFORE STARTING THE  
ASSEMBLY:



*View our  
Website*





With the free space in between the inner and outer wall, insulation and utilities can be easily integrated!



### STRONG AND DURABLE

The galvanised supporting structure guarantees longevity. Steel is the **material of the future**.



### QUICK AND EASY ASSEMBLY

The system is made up of prefabricated components that are **easy to assemble**. Brief instruction or a concise manual is all that is needed for quick assembly.



### NO MAINTENANCE

Do it the easy way with an Eleganto garden building. A steel construction requires **less maintenance than a timber one**. Touching up the paintwork is superfluous as the garden building always looks as good as new.



### SECURE

Using steel means safer construction, less maintenance, fewer foundation issues and **no need for heavy construction equipment**



### CONTEMPORARY LOOK&FEEL

TELLURIA offers a range of finish options **for a contemporary, functional look&feel** that dovetails effortlessly with most building styles and settings.



### ECOLOGICAL FOOTPRINT

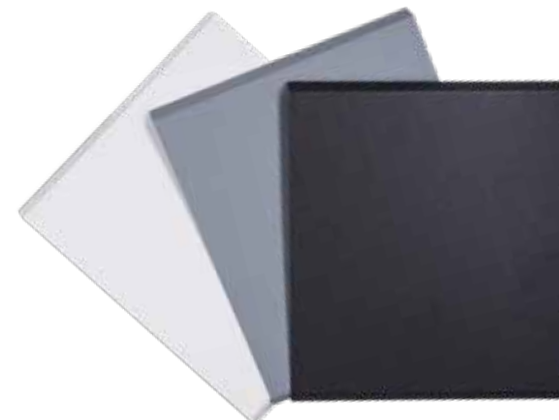
The constructions are **100% recyclable and can be re-used**. Being lightweight in construction, Telluria can be transported very efficiently. The constructions are supplied in kit format. Accordingly, there is no waste or surplus consumption of energy, water or other resources.

## Standard features:

- Door with plexi opaque glass (clear)
- Cylinder door lock
- The eaves and the door are in anthracite
- The corners are in anthracite or white
- The eaves are 10cm/15 wide
- The external sheets are made of hot-dipped galvanised steel (0.9mm)
- Roof pitch: 2°
- The roof is made up of insulated sandwich panels (4cm)
- Integrated gutter with outlet
- Ventilated



## Colours:



WHITE

Similar to RAL 9003  
Corners also available  
in white

ANTHRACITE

Similar to RAL 7043

LIGHT-GREY

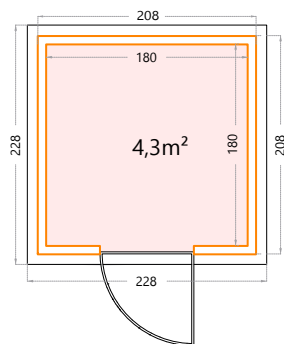
Similar to RAL 7001

## Eleganto 21 series

Height: 219cm.

Door opening - single door: 87x198cm.

**2121:** External dimensions: 208x208cm - Internal dimensions: 180x180cm.

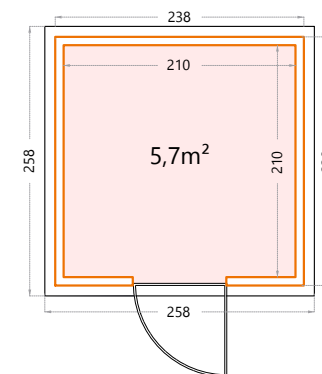


## Eleganto 24 series

Height: 219cm.

Door opening - single door: 87x198cm.

**2424:** External dimensions: 238x238cm - Internal dimensions: 210x210cm.

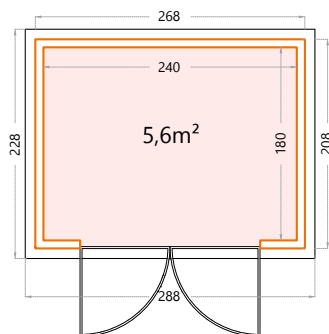


## Eleganto 27 series

Height: 219cm.

Door opening - double door: 177x198cm.

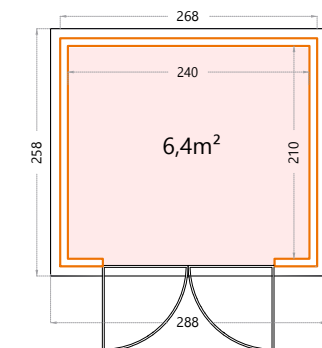
**2721:** External dimensions: 268x208cm - Internal dimensions: 240x180cm.



Height: 219cm.

Door opening - double door: 177x198cm.

**2724:** External dimensions: 268x238cm - Internal dimensions: 240x210cm.





# ELEGANTO

GIVE YOUR GARDEN THE ELEGANCE IT DESERVES



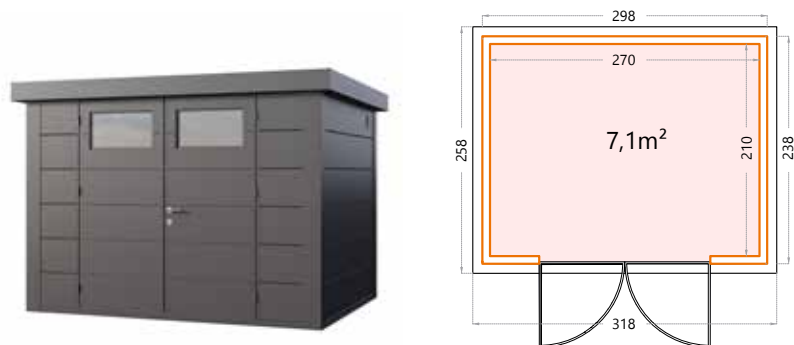


## Eleganto 30 series

Height: 219cm.

Door opening - double door: 177x198cm.

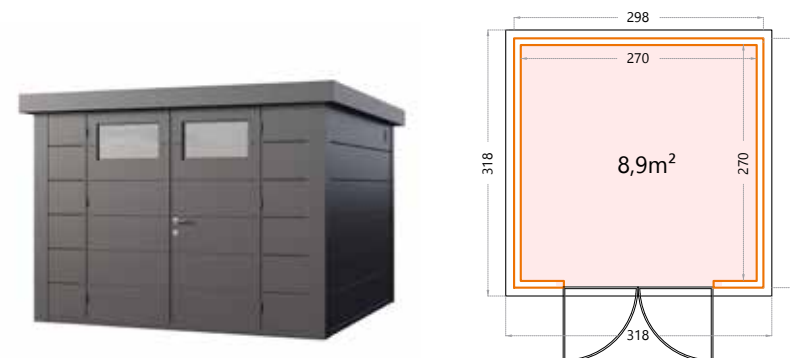
**3024:** External dimensions: 298x238cm - Internal dimensions: 270x210cm.



Height: 219cm.

Door opening - double door: 177x198cm.

**3030:** External dimensions: 298x298cm - Internal dimensions: 270x270cm.

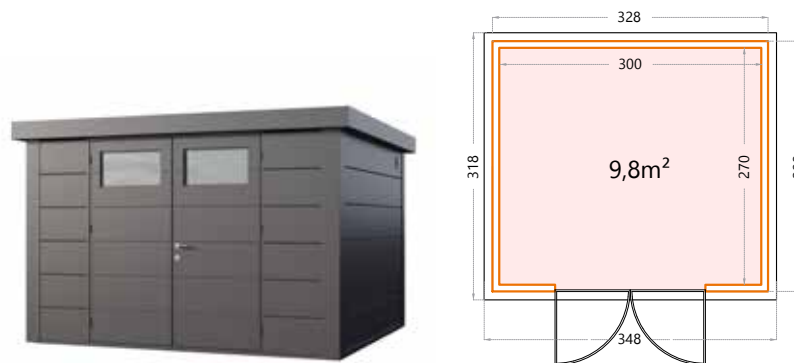


## Eleganto 33 series

Height: 219cm.

Door opening - double door: 177x198cm.

**3330:** External dimensions: 328x298cm - Internal dimensions: 300x270cm.





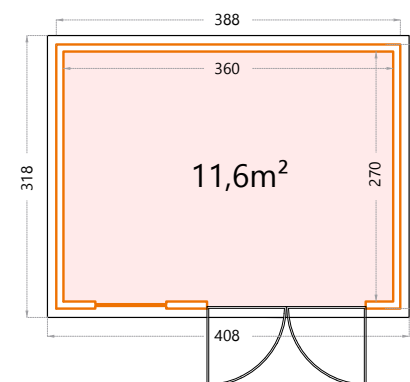


## Eleganto 3930 PLUS

Height: 260cm.

Door opening - double door: 177x198cm.

**3930:** External dimensions: 388x298cm - Internal dimensions: 360x270cm.

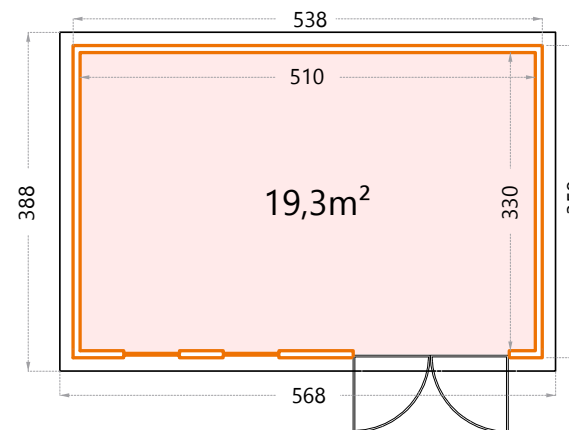


## Eleganto 5436 PLUS

Height: 260cm.

Door opening - double door: 177x198cm.

**5436:** External dimensions: 538x358cm - Internal dimensions: 510x330cm.





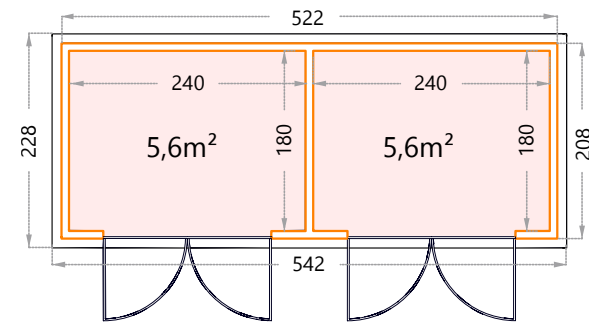


## DUO 2721

Height: 219cm.

Door opening - double door: 177x198cm.

**2721:** External dimensions: 522x208cm.

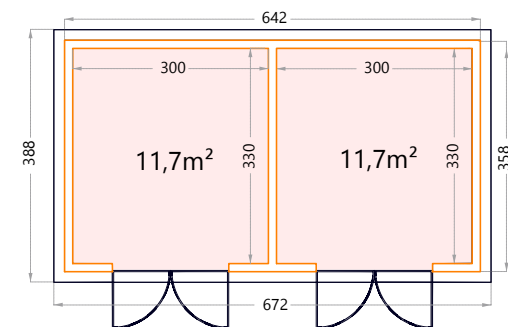


## DUO 3336

Height: 260cm.

Door opening - double door: 177x198cm.

**3336:** External dimensions: 642x358cm.





# LOUNGE

LET YOUR GARDEN STAND OUT!



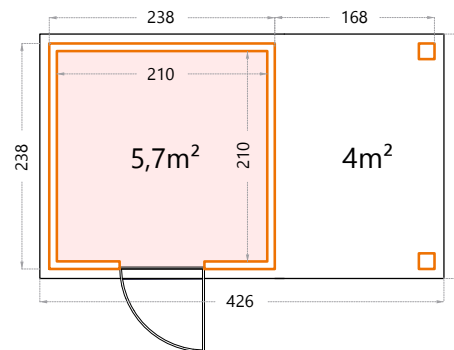


## Open Lounge Small

Height: 219cm.  
 External dimensions: 168x238cm - Internal dimensions: 154x210cm.  
 Canopy to the left or rights. **Only available in Anthracite.**



This can only be combined with the ELEGANTO:  
 2424 · 2724  
 3024



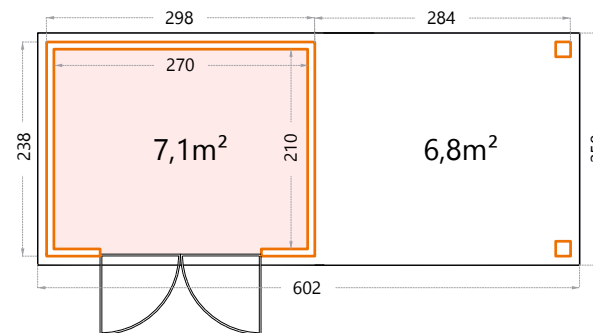
As example elegante 2424 with open lounge small.

## Open Lounge Large

Height: 219cm.  
 External dimensions: 284x238cm - Internal dimensions: 270x210cm.  
 Canopy to the left or rights. **Only available in Anthracite.**



This can only be combined with the ELEGANTO:  
 2424 · 2724  
 3024



As example elegante 3024 with open lounge large.





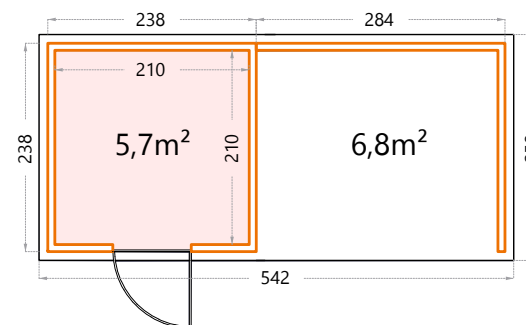


## Lounge Small

Height: 219cm.  
 External dimensions: 284x238cm - Internal dimensions: 270x210cm.  
 Canopy to the left or rights.



This can only be combined with the ELEGANTO: 2424 - 2724 3024



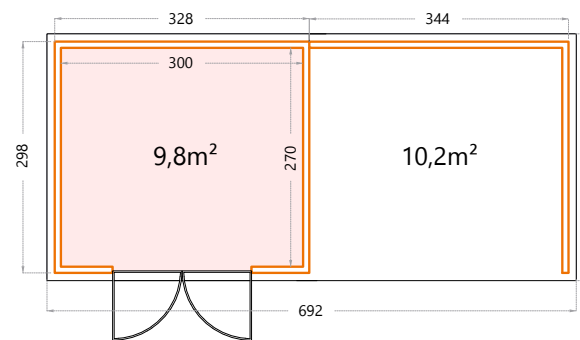
As example eleganto 2424 with Lounge Small.

## Lounge Large

Height: 219cm.  
 External dimensions: 344x298cm - Internal dimensions: 330x270cm.  
 Canopy to the left or rights.



This can only be combined with the ELEGANTO: 3030 - 3330



As example eleganto 3330 with Lounge Large.



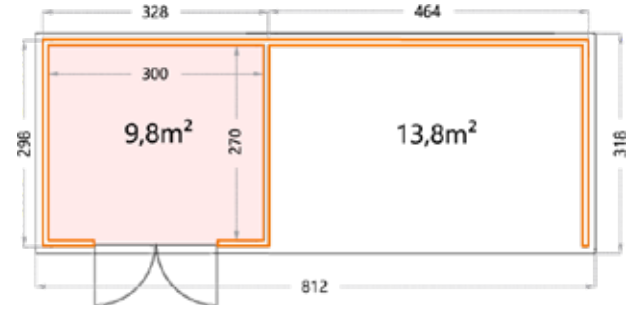
Eat  
Drink  
RELAX  
BE HAPPY



## Lounge extra large

Height: 219cm.  
 External dimensions: 464x298cm - Internal dimensions: 450x270cm.  
 Canopy to the left or rights.

This can only be combined with the ELEGANTO: 3030 - 3330



As example 3330 with lounge extra large.

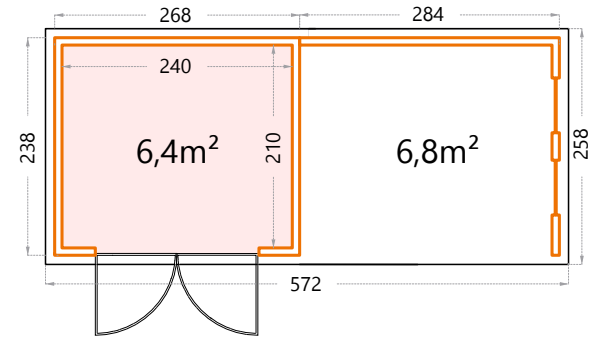
## Option windows

The option of windows is possible for lounge small, lounge large and lounge XL.

Possible for Lounge small/ large/extra large



LOUNGE OPTION



As example elegante 2724 with Lounge Small.

# LUMINATO

CREATE YOUR UNIQUE PLACE



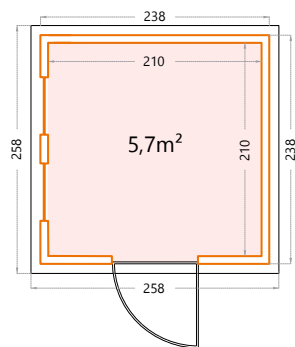


# Luminato

Height: 219cm.

Door opening - single door: 87x198cm.

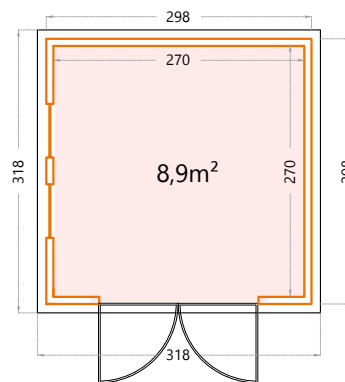
**2424:** External dimensions: 238x238cm - Internal dimensions: 210x210cm.



Height: 219cm.

Door opening - double door: 177x198cm.

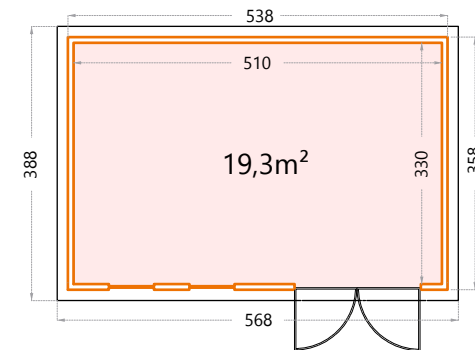
**3030:** External dimensions: 298x298cm - Internal dimensions: 270x270cm.



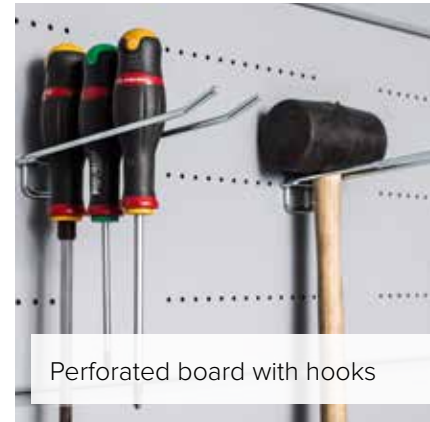
Height: 260cm.

Door opening - double door: 177x198cm.

**5436:** External dimensions: 538x358cm - Internal dimensions: 510x330cm.



## Options:



## Wall print:

You can select the wall print option to personalise your lounge.  
You can provide a photo yourself for this which we then print on the back wall of your lounge.

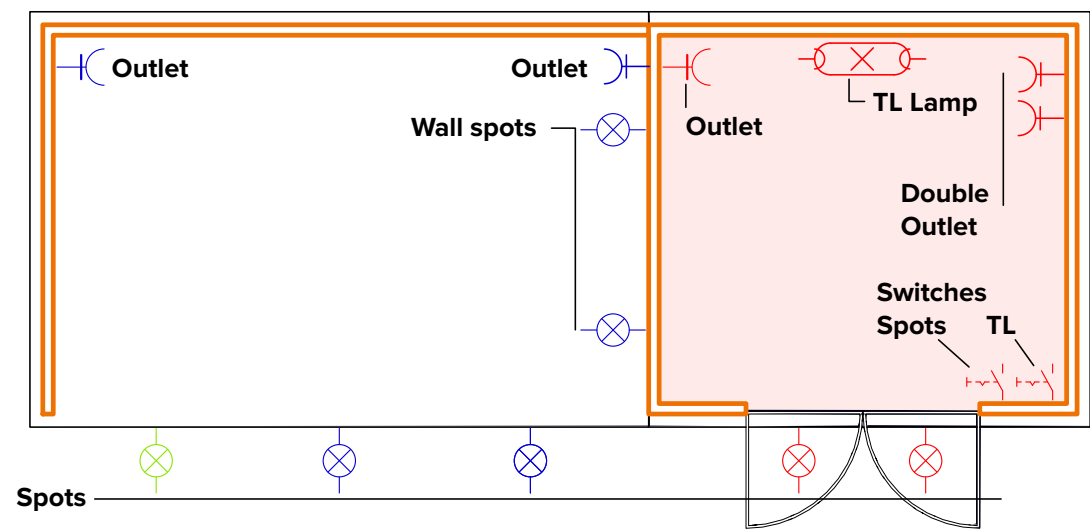
**Note:** With the lounge XL the back wall consists of 2 different parts (left and right part). You can opt for a left or right print or a left print and a different right print. A print over the whole length of the back wall is not possible.





# Option elektricity kit:

- Option Garden House: red
- ■ Option Garden House + lounge S/L: red + blue
- ■ ■ Option Garden House + lounge XL: red + blue + green



# GARAGE

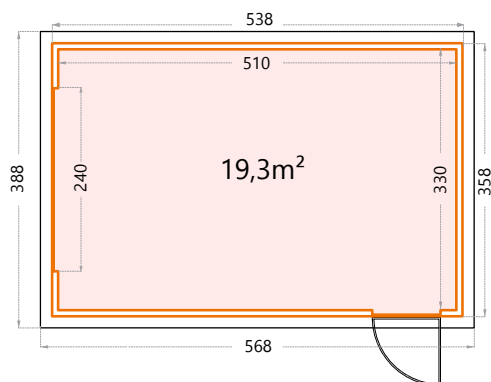




## Garage

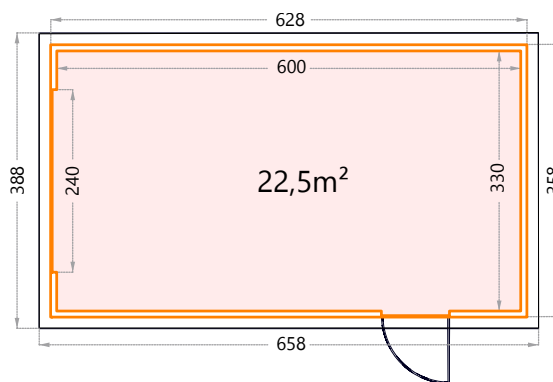
Height: 260cm.

**3654:** External dimensions: 358x538cm - Internal dimensions: 330x510cm.  
Opening of the garage door: 240x200cm.



Height: 260cm.

**3663:** External dimensions: 358x628cm - Internal dimensions: 330x600cm.  
Opening of the garage door: 240x200cm.



## Sustainable, maintenance-friendly, STEEL garage

You should always be able to count on it. To take you to great parties in the summer. But also to be able to drive around safely in the winter. There are plenty of reasons to take care of it. That's right. Your car. There's nothing more annoying than a car that won't start or is far too hot for you to sit inside.

The solution is a dependable and affordable garage. One that is quick and easy to construct without having to use heavy tools and machinery. One with a modern look and that's been made with the environment in mind. You don't have to worry about the maintenance because the durable materials make it unnecessary.



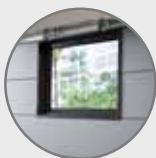


**Ventilation**

The ventilation grille ensures that the room is sufficiently ventilated so that any exhaust fumes or other disturbing odours can easily find their way out.

**Drainage**

The garage is equipped with a drainpipe that drains the rainwater away. The garage 3663 has 2 water drain pipes.

**Window**

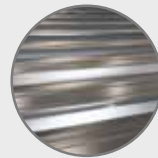
The window provided in the garage has double glazing and brings some light into the darkness.

**Colours**

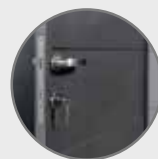
The garage is available in three modern colours. White, light grey, and anthracite. There's a colour to suit everyone's preference.

**Garage door**

The electric door ensures ideal ease of use on both departure and arrival. The motor is equipped with LED lights so you never come home to a dark garage.

**Insulation**

The roof of the garage is equipped with insulated steel sandwich panels. The free space between the inside and outside wall allows for full insulation of the garage.

**Lock**

Lastly, let's emphasise safety. The garage has a solid latch and a sturdy lock that together blend beautifully into the gorgeous design of this garage.

# FENCE





# A modern STEEL fence

We are living with increasing levels of pressure and stress. Often, the only place we can relax is at home. Alone or with our family.

And to be fair, we would rather not be disturbed after a busy day if we are looking for some peace and quiet. Our garden is a little piece of paradise that will always be there. So embrace that blissful place. Embrace it sustainably and with both hands. Embrace it with our Telluria fence.

An elegant solution to guarantee your privacy. The sleek design matches any garden. Whether you have a romantic English garden full of lush flowers, or a sleek garden with trained lime trees and a swimming pond.

This fence will provide the finished detail without taking the attention away from your garden.



## 5 plates high

**Dimensions:**  
168cm high and  
180cm wide.

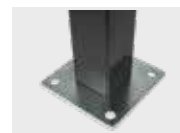
## 6 plates high

**Dimensions:**  
200cm high and  
180cm wide.



### Colour\*:

White - Similar to RAL 9003  
Antracite - Similar to RAL 7043  
Light grey - Similar to RAL 7001



**Base**



### Post:

6X6cm  
2,8m long

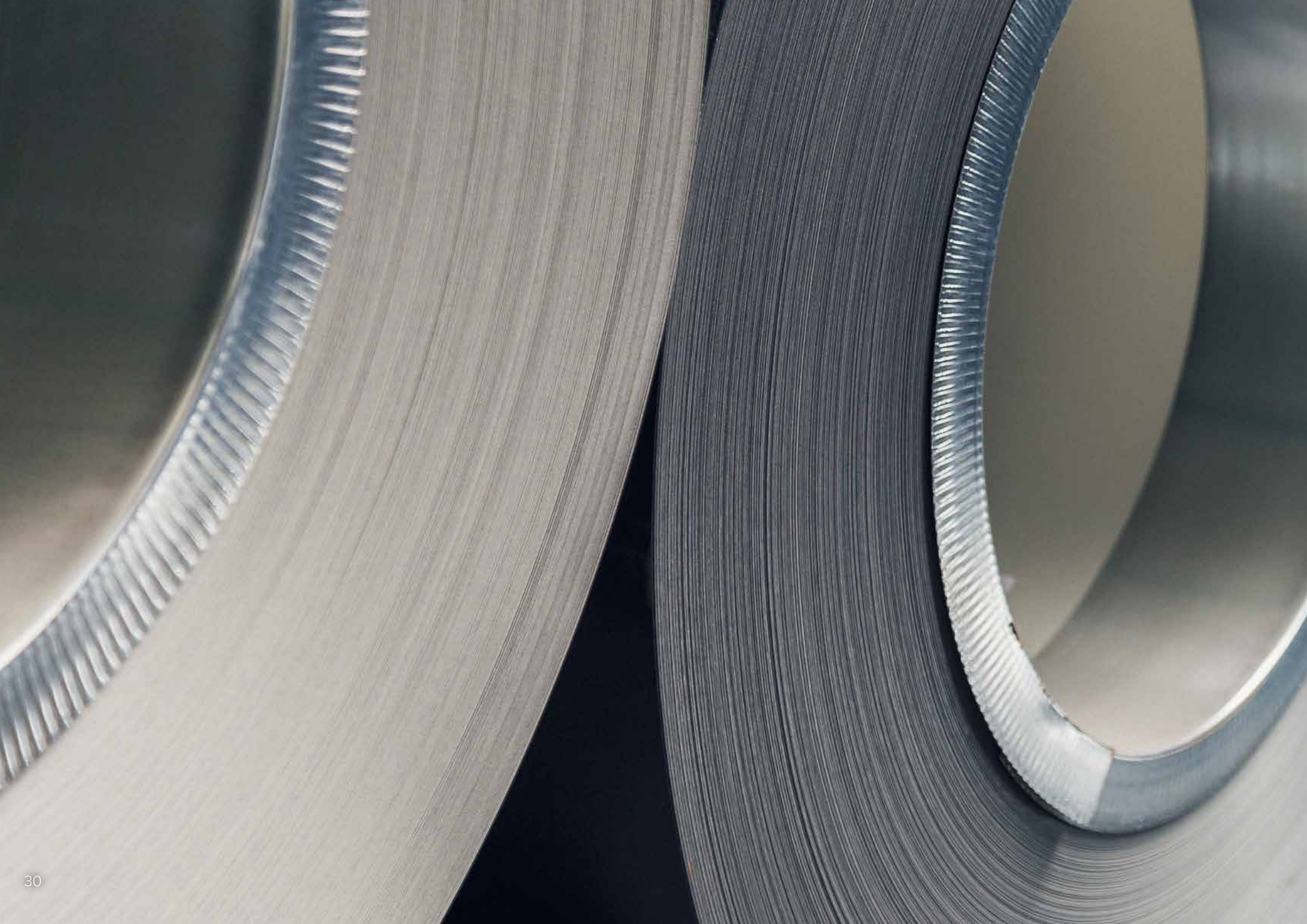


**Top  
cover**



**U-profile**

\*The U-profiles, pole and top cover are always anthracite

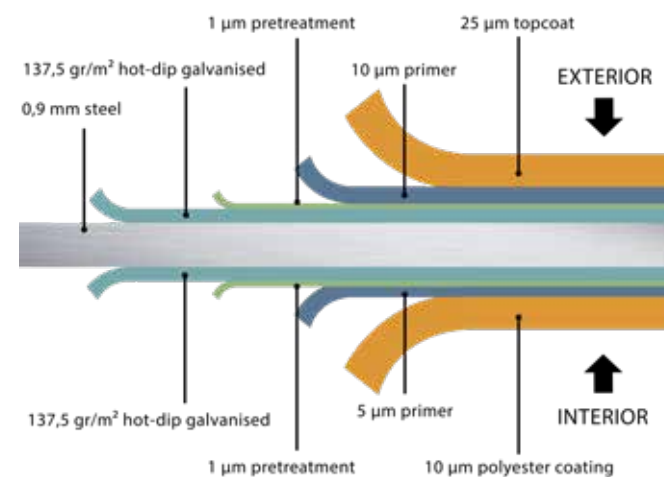




## Steel is a sustainable construction material

All profiles are made of galvanised (hot-dipped) steel. The steel plates have a 275g/m<sup>2</sup> zinc layer, ensuring an ELEGANTO garden building never rusts.

TELLURIA only uses high-grade steel delivered by European suppliers.



These suppliers produce steel using state-of-the-art, efficient processes, from raw material to the finished product. This means we can guarantee you optimum product procurement for in your garden.

# Revolutionary STEEL construction system



Visit our website  
[www.telluria.eu](http://www.telluria.eu)

## STEEL OF LIFE

TELLURIA is an easy to install steel construction system. The countless benefits of steel mean this system will play a vital role in the future; with its flexibility the system inspires the realisation of people's dream constructions.

## ON-SITE PRODUCTION

All TELLURIA components are of European origin, produced at our site in Belgium. Our fully standardised and automated production process is continuously monitored, resulting in premium products. The components and constructions are comprehensively and stringently tested, using only high-grade materials. As a result they can cope with extreme conditions (they are fire-resistant, can withstand high winds ...).



**PRODUCED IN  
BELGIUM**  
(TONGEREN)

# telluria

LET US STEEL YOUR HEART

## TELLURIA

Steel of Life  
+32 (0)12 33 90 00  
[info@telluria.eu](mailto:info@telluria.eu)

## Produced by Telluria NV

Eastern industrial zone – No. 5 Michielenweg  
3700 TONGEREN | Belgium